

MATERIAL - DATA SHEET

Quality Products

MADE IN GERMANY

by your famous brand

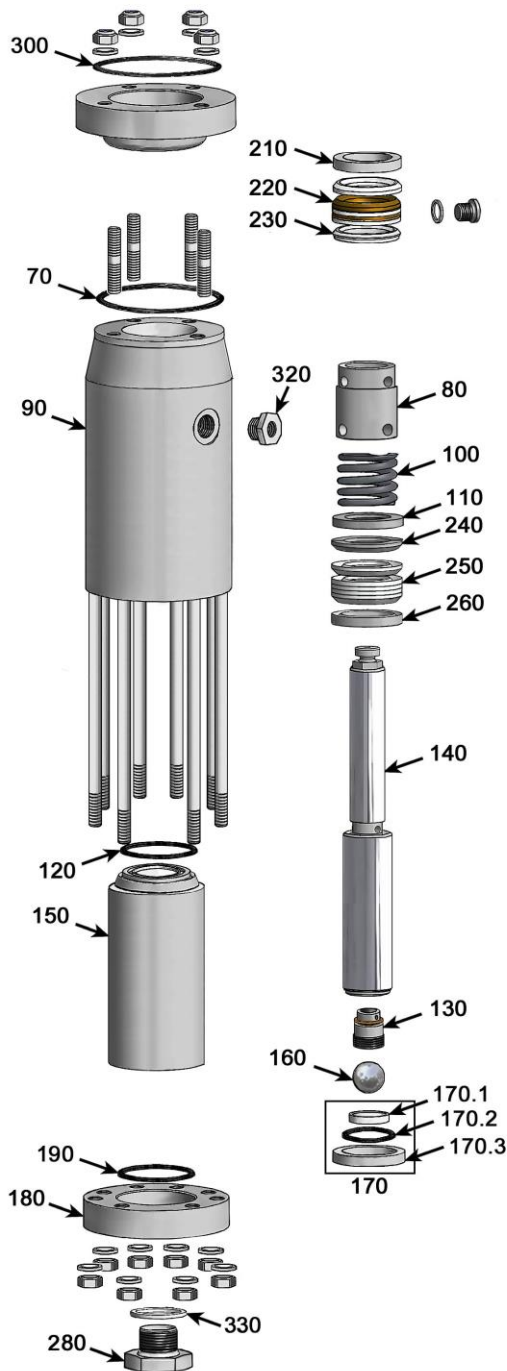
K SPRITZTECHNIK **T**
KOPPERSCHMID

Topic: Kopperschmidt Classic Line T2001
Product: Material contact parts of fluid suction
-110/ -150/ -220

T2001-110-150-220_MD_E

Stand: 06/2021

Changes are possible without notice



Pos.	Description	Material
80	bush	1.4305 Stainless Steel
70	o-ring	NBR
90	cylinder <i>upper</i>	1.4305 Stainless Steel
100	pressure spring	1.4310 Stainless Steel
110	spacer	1.4305 Stainless Steel
120	o-ring	FPM
130	pressure valve	1.4305 Stainless Steel / Tungsten Carbide
140	piston rod	1.4305 Stainless Steel
150	cylinder <i>lower</i>	1.4305 Stainless Steel
160	ball	1.4404 Stainless Steel
170.1	tungsten carbide seat	1.4305 Stainless Steel / Tungsten Carbide
170.2	o-ring	FPM
170.3	valve seat bearing	1.4305 Stainless Steel
180	flange <i>lower</i>	1.4305 Stainless Steel
190	o-ring	FPM
210	female gland <i>upper</i>	1.4305 Stainless Steel
220	v-packing set <i>upper</i>	PTFE*
220	v-packing set <i>upper</i>	PTFE/leather*
230	retaining ring <i>upper</i>	1.4305 Stainless Steel
240	retaining ring <i>lower</i>	1.4305 Stainless Steel
250	v-packing set <i>lower</i>	PTFE*
250	v-packing set <i>lower</i>	PTFE/leather*
260	female gland <i>lower</i>	1.4305 Stainless Steel
280	material inlet	1.4305 Stainless Steel
320	nipple	1.4571 Stainless Steel
300	o-ring	NBR
330	sealing ring	POM

* Material combinations optional