

MATERIAL - DATA SHEET

Topic: Kopperschmidt Classic Line T2001
Product: Material contact parts of fluid suction
 -135/ -185

T2001-135-185_MD_E

Stand: 06/2021

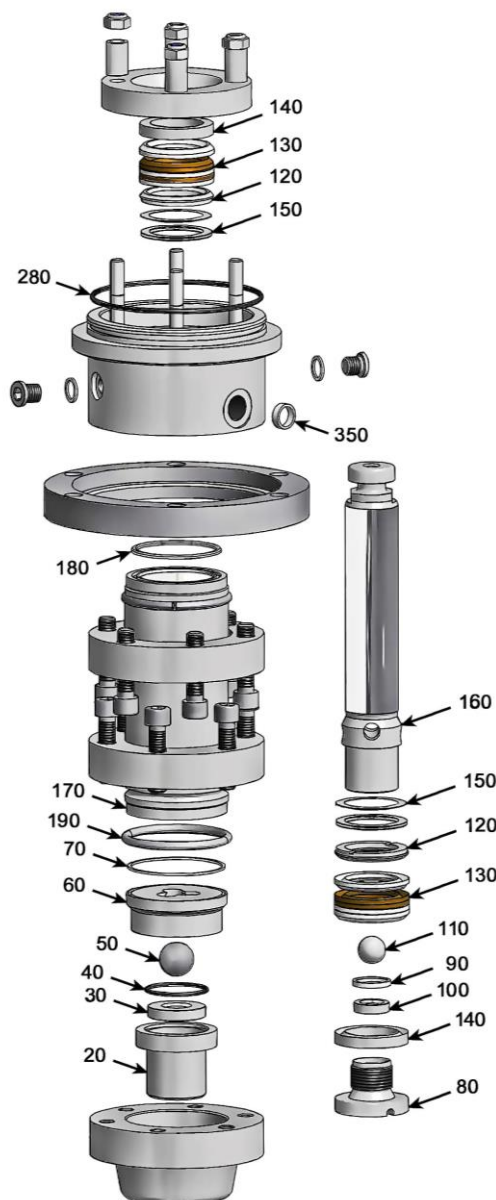
Changes are possible without notice

Quality Products

MADE IN GERMANY

by your famous brand

K SPRITZTECHNIK **T**
KOPPERSCHMID



Pos.	Description	Material
20	flange	1.4305 Stainless Steel
30	valve seat	Tungsten Carbide
40	o-ring	FEP
50	ball	1.4404 Stainless Steel
60	ball guide	1.4305 Stainless Steel
70	sealing ring	POM
80	hollow screw	1.4305 Stainless Steel
90	seal	PE
100	valve seat	Tungsten Carbide
110	ball	1.4404 Stainless Steel
120	gland	1.4305 Stainless Steel
130	v-packing set	PTFE**
130	v-packing set	PTFE/PE**
130	v-packing set	PTFE/leather**
130	v-packing set	PTFE/Nomex**
140	gland	1.4305 Stainless Steel
150	plate spring	1.4310 Stainless Steel
160	piston rod	1.4305 Stainless Steel
170	cylinder	1.4305 Stainless Steel
180	sealing ring	POM
190	circlips	1.4305 Stainless Steel
280	o-ring	FPM
350	sealing ring	POM

** upper and lower