

MATERIAL - DATA SHEET

Quality Products



— by your famous brand —

SPRITZTECHNIK
KOPPERSCHMIDT

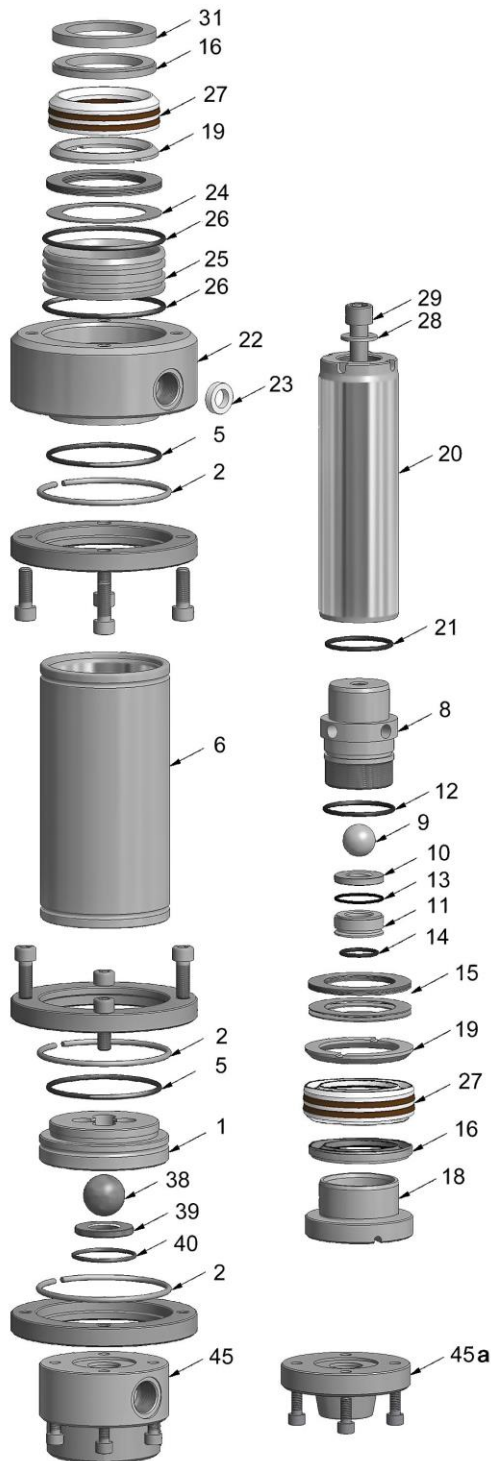
Topic: Kopperschmidt Classic Line T2001

Product: Material contact parts of fluid suction -340

T2001-340_MD_E

Stand: 06/2021

Changes are possible without notice



Pos.	Description	Material
1	ball guide	1.4305 Stainless Steel
2	snap ring	1.4310 Stainless Steel
5	o-ring	FEP
6	cylinder	1.4305 Stainless Steel
8	piston	1.4305 Stainless Steel
9	ball	1.4404 Stainless Steel
10	valve seat pressure valve	Tungsten Carbide
11	bush	1.4305 Stainless Steel
12	o-ring	FPM
13	o-ring	FPM
14	o-ring	FPM
15	disc spring	1.4310 Stainless Steel
16	gland, female	1.4305 Stainless Steel
18	retainer ring	1.4305 Stainless Steel
19	gland, male	1.4305 Stainless Steel
20	piston skirt	1.4305 Stainless Steel
21	o-ring	FPM
22	connector	1.4305 Stainless Steel
23	sealing ring	POM
24	disc spring	1.4310 Stainless Steel
25	bush	1.4305 Stainless Steel
26	o-ring	FEP
27	v-packing set	PTFE**
27	v-packing set	PTFE/leather**
27	v-packing set	PTFE/Nomex**
28	washer	Zinc plated steel
29	cylinder screw	Zinc plated steel
31	pressure ring	1.4305 Stainless Steel
38	ball	1.4125 Stainless Steel
39	valve seat suction valve	Tungsten Carbide
40	o-ring	FEP
45	flange for floor mounting	1.4305 Stainless Steel
45a	flange for wall mounting	1.4305 Stainless Steel

** upper and lower