

# PRODUCT - DATA SHEET

Quality Products

MADE IN GERMANY

by your famous brand

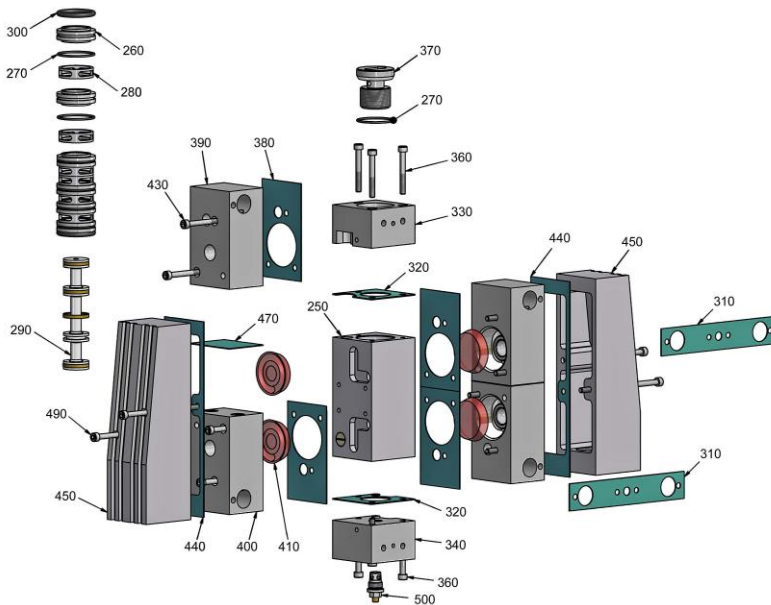
K SPRITZTECHNIK  
KOPPERSCHMID T

Topic: **Kopperschmidt Classic Line**  
Product: **T2001-35.135 (D230 S120-135) Piston pump**

T2001\_35\_135 Kolbenpumpe\_PD\_E\_e

Stand: 09/2021

Changes are possible without notice

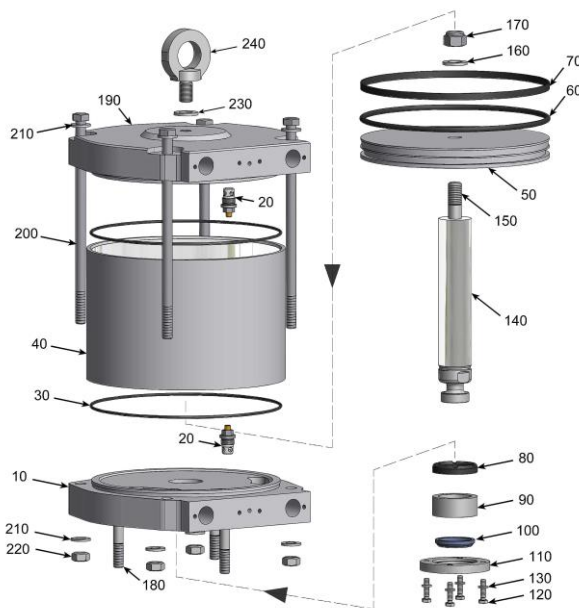


**Available service kit for Air Control Block:**

Service kit sealings **Part-No. 20002 121608 \***

Air Control Block			
Part-No.: 2001D XXX120			
Pos.	Amount	Description	Part Number
250	1	housing	20013 002501
260	6	bush	20013 002601
270*	7	o-ring	
280	6	spacer ring	20013 002801
290	1	control piston assy	20013 002901
300*	2	o-ring	
310*	2	flat seal	
320*	2	flat seal	
330	1	connector upper	20013 003301
340	1	connector lower	20013 003401
360	6	cylinder screw <sup>1</sup>	90711 006050
370	1	hollow screw	20013 003701
380*	4	flat seal	
390	2	housing	20013 003901
400	2	housing	20013 004001
410	4	cup seal	33311 050000
430	8	cylinder screw <sup>2</sup>	90711 006060
440*	2	flat seal	
450	2	outlet housing	20013 004501
470*	2	flat seal	
490	4	cylinder screw <sup>3</sup>	90711 006120
500	1	reset button	20010 010001

<sup>1/2/3</sup> torque with 10Nm (Mean value of the thread table)



**Available service kit for Air Motor:**

Service kit sealings **Part-No. 20001 230608 \***

Air Motor			
Part-No.: 20012 311200			
Pos.	Amount	Description	Part Number
10	1	bottom casting D230	20012 300101
20	2	sensing valve	20010 010001
30*	2	o-ring	
40	1	cylinder	20012 300405
50	1	piston disk D230	20012 300501
60*	1	o-ring	
70*	1	guide band	
80*	1	sealing ring	
90	1	bush	20013 000901
100*	1	sealing disk	
110	1	flange	20013 001101
120	4	hex screw <sup>1</sup>	90711 106025
130	4	disk	90711 906012
140	1	piston rod	20013 001405
150	1	stud	20013 001501
160	1	disk	90711 917045
170	1	lock nut <sup>2</sup>	90711 616024
180	3	stud	20013 001801
190	1	cylinder cover	20012 301901
200	4	cylinder screw <sup>3</sup>	90711 012250
210	8	disk	90711 913024
220	4	nut <sup>4</sup>	92711 712019
230	1	sealing	37215 017021
240	1	eye-bolt	20013 002401

<sup>1</sup> torque with 10Nm / <sup>2</sup> torque with 200Nm / <sup>3/4</sup> torque with 80Nm (Mean value of the thread table)

# PRODUCT - DATA SHEET

**Topic:** Kopperschmidt Classic Line  
**Product:** T2001-35.135 (D230 S120-135) Piston pump

T2001\_35\_135 Kolbenpumpe\_PD\_E\_e

Stand: 09/2021

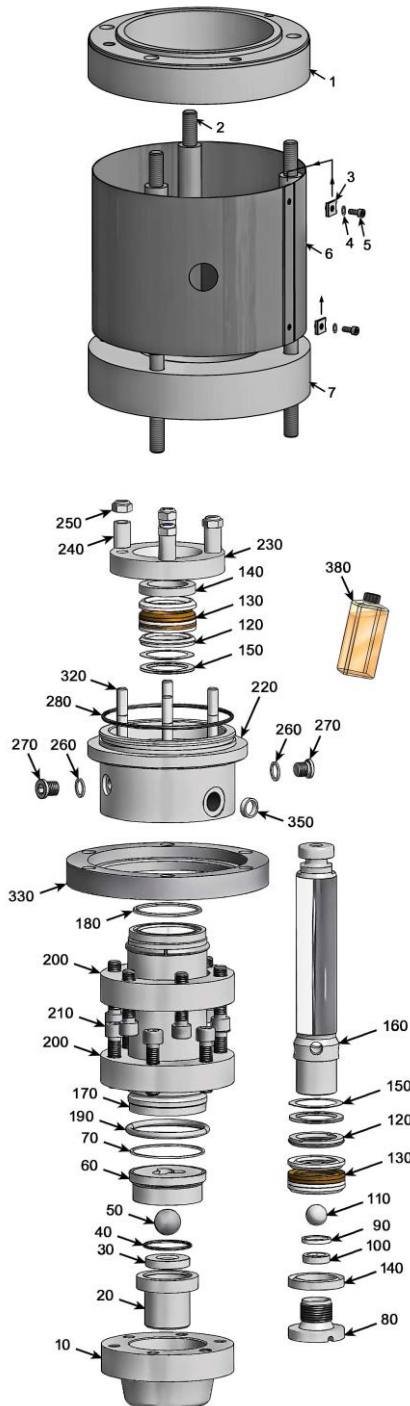
Changes are possible without notice

**Quality Products**

**MADE IN GERMANY**

by your famous brand

**K** SPRITZTECHNIK **T**  
**KOPPERSCHMIDT**



### Available service kits for Fluid Section:

Service kit sealings PTFE	<b>Part.-No. 20000 135610 *</b>
Service kit sealings PTFE/PE	<b>Part.-No. 20000 13561B *</b>
Service kit sealings PTFE/leather	<b>Part.-No. 20000 135614 *</b>
Service kit sealings PTFE/Nomex	<b>Part.-No. 20000 135615 *</b>
Service kit sealing ring	<b>Part.-No. 20000 135617 -</b>
Service kit valves	<b>Part.-No. 20025 18560C +</b>

Coupling housing Part-No.: 20011 859801			
Pos.	Amount	Description	Part Number
1	1	round flange	20011 853801
2	3	stud	20011 853902
3	2	snap nut	90710 G04000
4	2	disc	90711 905010
5	2	cylinder screw	90711 004010
6	1	cover plate	20011 853501
7	1	round flange	20011 854001

Fluid Section T2001-135 Version PTFE/leather Part-No.: 20011 350002 Version PTFE/Nomex Part-No.: 20011 350000 Version PTFE/Nomex with coated cylinder Part-No.: 20011 350006			
Pos.	Amount	Description	Part Number
10	1	flange	20011 350101
20	1	flange	20011 850201
30+	1	valve seat	
40*-	1	o-ring	
50+	1	ball	
60	1	ball guide	20011 850601
70*-	1	sealing ring	
80	1	hollow screw	20011 350801
90*-	1	seal	
100+	1	valve seat	
110+	1	ball	
120	2	gland lower	42966 340541
130*	1	v-packing set PTFE**	
130*	1	v-packing set PTFE/PE**	
130*	1	packing set PTFE/leather**	
130*	1	packing set PTFE/Nomex**	
140	2	gland upper	43980 340543
150	4	plate spring	20011 351501
160	1	piston rod	20011 351601
170	1	cylinder	20011 351701
170	1	cylinder with inner coating	20011 351706
180*-	1	sealing ring	
190	4	circlips	20011 351901
200	2	flange	20011 352001
210	12	cylinder screw	90711 012050
220	1	connector	20011 352201
230	1	gland upper	20011 852601
240	4	bush	20011 852701
250	4	safety nut	90711 610013
260*-	2	sealing ring	
270	2	cylinder cap	99471 991401
280*-	1	o-ring	
320	4	thread bolt	20011 853201
330	1	flange	20011 853301
350	1	sealing ring	35055 015018
380	1	rinsing liquid	15009 010001

\*\* upper and lower