

# PRODUCT - DATA SHEET

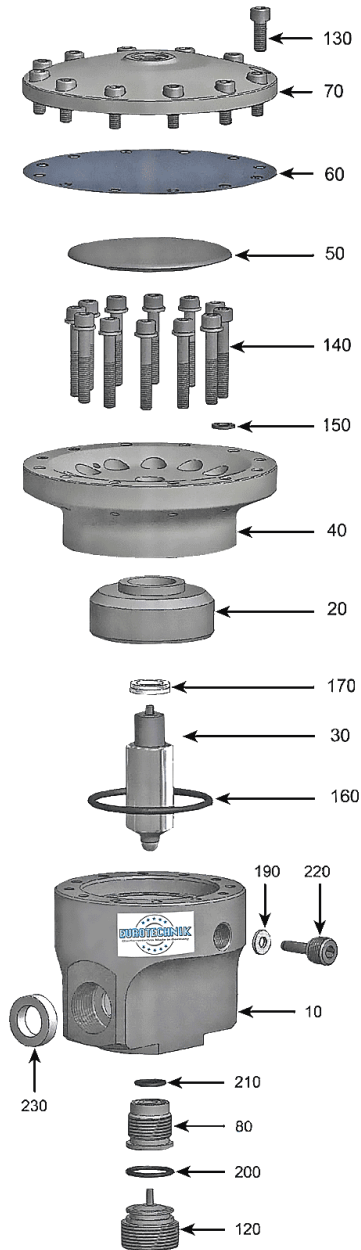
**Quality Products**  
**MADE IN GERMANY**  
 — by your famous brand —  
**KOPPERTSCHMIDT**  
 SPRITZTECHNIK

**Topic: Material Pressure Regulator**  
**Product: Pneumatically Operated Material Pressure Regulator P200-RP Part-No.: 15010 203000**

P200RP\_PD\_E\_e

Stand: 03/2025

all rights reserved



Pos.	Amount	Description	Part-Number
10	1	valve housing	15010 062010
20	1	packing housing	15010 062020
30+	1	valve tappet	
40	1	diaphragm housing	15010 152040
50	1	diaphragm plate	15010 152050
60*	1	diaphragm	
70	1	lid	15010 152070
80+	1	hollow screw	
120	1	locking screw	15010 062120
130	12	cylinder screw	90711 006016
140	12	cylinder screw	90711 006040
150	12	washer	90711 906012
160*	1	o-ring	
170*	1	groove ring	
190*	1	sealing ring	
200*	1	o-ring	
210*	1	o-ring	
220	1	locking screw	15010 062220
230*	2	sealing ring	

**Available service kits for material pressure regulator:**

**Sealing Kit** includes marked \* items **Part-No.: 20006 152001**

**Service Kit wear parts** includes marked + items **Part-No.: 20016 103001**

**Service Kit** includes marked\* and + items **Part-No.: 20026 203003**