

PRODUCT - DATA SHEET

Quality Products

MADE IN GERMANY

by your famous brand

KOPPERTSCHMIDT

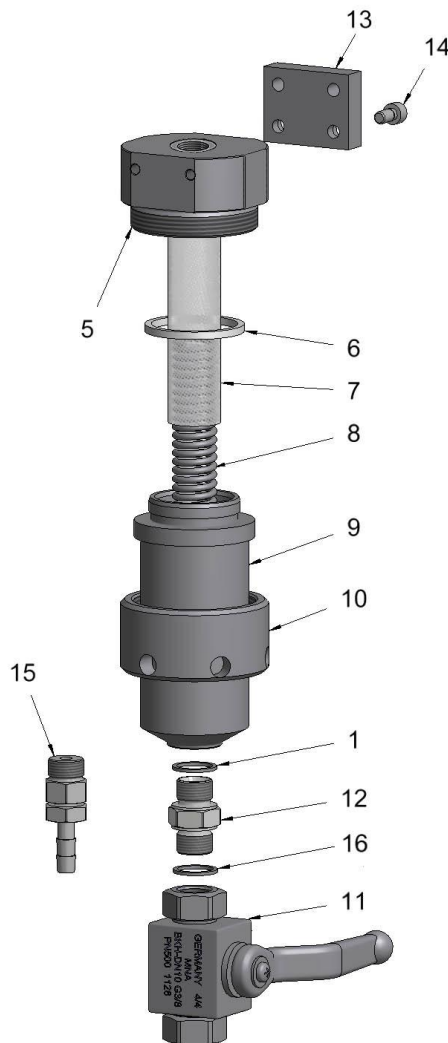
Topic: High pressure filter

Product: Twin Filter PN 400

Doppelsieb PN 400_PD_E

Stand: 04/2026

all rights reserved



Pos.	Amount	Description	Part-No.
5	1	Connector for twin filter, in= left / right, out= top, Wallmounting	15005 900101
6	1	O-ring PTFE	39035 041353
7	1	Filter sieve	Siehe unten
8	1	Support spring	99272 021122
9	1	Filter sieve	15005 000020
10	1	Retaining ring	15005 000032
11	1	Ball valve G1/4" HP ST zinc-coated	80012 030014
11	1	Ball valve G1/4" HP SS	80012 050014
12	2	Nipple G1/4" > G3/8" HP	99470 011438
13	1	Wall mount bracket	15005 199001
14	2	Screw	90711 006012
15	1	Drain screw	15005 000180
16	1	Seal	38215 014018

Filter sieves:

The filter inserts are not included in the basic package of the double sieve PN 400 system.

Please specify the desired mesh size/item number when ordering.

Sieve-No.	Mesh size/mm	Mesh Size	Part-No.
# 1	0,06	250	15921 100101
# 2	0,07	200	15921 100201
# 3	0,08	195	15921 100301
# 4	0,09	180	15921 100401
# 5	0,14	100	15921 100501
# 6	0,19	80	15921 100601
# 9	0,24	60	15921 100901
# 12	0,32	50	15921 101201
# 15	0,41	40	15921 101501
# 20	0,53	30	15921 102001