

PRODUCT - OVERVIEW

Topic: High pressure filters
Product: Filter PN 500

Sieb PN 500_PÜ_E

Stand: 04/2026

all rights reserved

Quality Products
MADE IN GERMANY
— by your famous brand —
KOPERSCHMIDT
SPRITZTECHNIK

Filter PN 500 basic version without fittings:



Filter PN 500 basic version
(without any fitting)
15005 000000

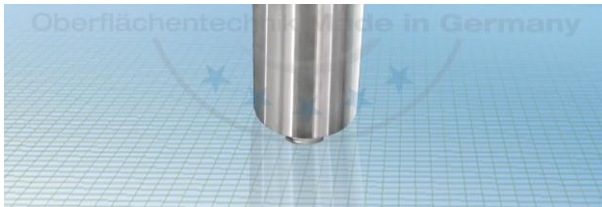


Filter PN 500 basic version
(for pump mounting)
15005 001000

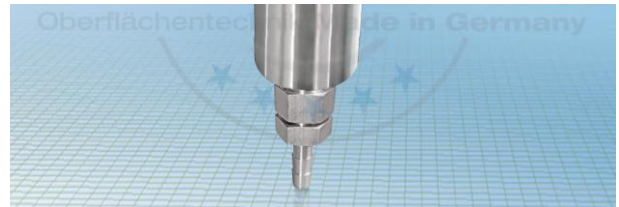


Filter PN 500 basic version
(for wall mounting)
15005 100000

Filter PN 500 with locking screw:



Part-No. -VS



Part-No. -AS

Filter PN 500 with drain ball valve SS:



Part-No. -AKHE

Filter PN 500 with drain ball valve zinc plated steel:



Part-No. -AKHS



PRODUCT - OVERVIEW

Quality Products

MADE IN GERMANY

by your famous brand

K SPRITZTECHNIK
KOPPERSCHMID T

Topic: High pressure filters

Product: Filter PN 500

Sieb PN 500_PÜ_E

Stand: 04/2026

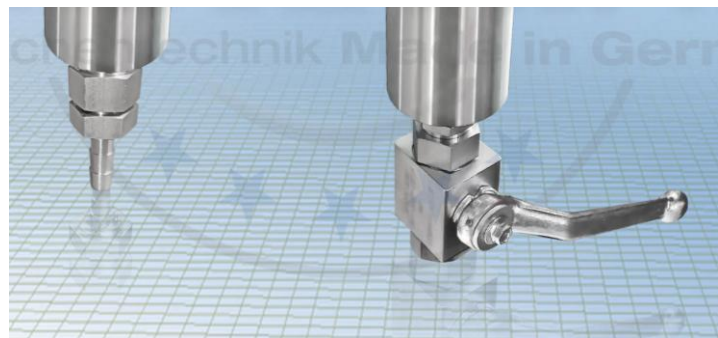
all rights reserved



High pressure filter PN 500

The function of PN 500 is to filter the material from dirt particles, which could have negative effects on the operation of the application equipment. The filter is screwed onto the pump and secured in the desired position with a lock nut. The filter element is inside the filter.

Depending on the type of use, different filter variations with different connections and drain devices are available. In order to ensure a perfect spray pattern, make sure that the sieve insert has the correct mesh size and is cleaned regularly.



Technical data

Working pressure max.:	500 bar
- under pulsating stress:	400 bar
Working temperature max.:	+ 120 °C
Filter screen surface:	ca. 78 cm ²

Part-No.:	Description:
15005 000000	Filter PN 500 stainless steel, basic version without connections
15005 000000-VS	Filter PN 500 stainless steel, basic version with locking screw
15005 000000-AS	Filter PN 500 stainless steel, basic version with drain valve
15005 000000-AKHS	Filter PN 500 stainless steel, basic version with drain ball valve zinc plated steel
15005 000000-AKHE	Filter PN 500 stainless steel, basic version with drain ball valve stainless steel
15005 001000	Filter PN 500 stainless steel, for pump mounting without connections
15005 001000-VS	Filter PN 500 stainless steel, for pump mounting with locking screw
15005 001000-AS	Filter PN 500 stainless steel, for pump mounting with drain valve
15005 001000-AKHS	Filter PN 500 stainless steel, for pump mounting with drain ball valve zinc plated steel
15005 001000-AKHE	Filter PN 500 stainless steel, for pump mounting with drain ball valve stainless steel
15005 100000	Filter PN 500 stainless steel, for wall mounting without connections
15005 100000-VS	Filter PN 500 stainless steel, for wall mounting without connections, locking screw
15005 100000-AS	Filter PN 500 stainless steel, for wall mounting with drain valve
15005 100000-AKHS	Filter PN 500 stainless steel, for wall mounting with drain ball valve zinc plated steel
15005 100000-AKHE	Filter PN 500 stainless steel, for wall mounting with drain ball valve stainless steel

Sieve inserts:

Sieve #:	#00	#0	#1	#2	#3	#4	#5	#6	#9	#12	#15	#20
Mesh size:	~400	~325	250	200	195	180	100	80	60	50	40	30
Mesh width mm:	0,02	0,04	0,06	0,075	0,08	0,09	0,14	0,19	0,24	0,32	0,41	0,53

The sieve inserts are not included in the basic equipment of the PN 500 filter. Please specify the desired # sieve number when ordering.