

PRODUCT - DATA SHEET

Topic: Material Pressure Regulator
Product: Pneumatically operated material pressure regulator P20-VP Part-No.: 15010 022000

P20VP_PD_E_e

Stand 05/2026

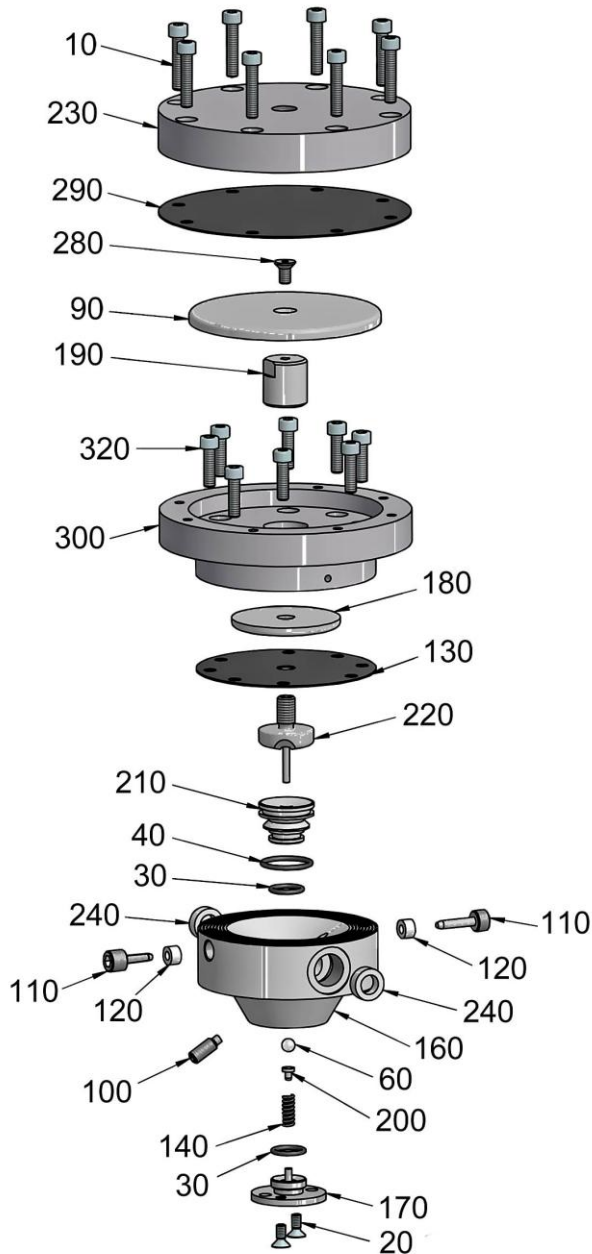
all rights reserved

Quality Products



by your famous brand

K SPRITZTECHNIK **T**
KOPPERSCHMID



Pos.	Amount	Description	Part-Number
10	16	screw	90711 005025
20	2	screw	96711 304010
30*	2	o-ring	
40*	1	o-ring	
60+	1	ball	
90	1	pressure plate large	15010 022090
100	2	grub screw	94712 006016
110	2	locking screw with pin	15010 010111
120	2	sealing ring	35450 004009
130*	1	diaphragm	
140+	1	spring	
160	1	lower housing	15010 012160
170	1	lid	15010 010170
180	1	pressure plate small	15010 022180
190	1	nut	15010 022190
200+	1	ball thrust	
210+	1	valve seat	
220	1	valve tappet	15010 010220
230	1	lid upper	15010 022230
240	2	sealing ring	35450 009015
280	1	screw	90710 405010
290*	1	diaphragm	
300	1	lid lower	15010 022300

Service Kits for Material Pressure Regulator:

Sealing kit includes marked * items **Part-No.: 20006 022001**

Service kit wear parts includes marked + items **Part-No.: 20016 022001**

Service kit includes marked * and + items **Part-No.: 20026 022001**